

## Description




- Passive infrared presence detectors for ceiling installation
- Flat design with interchangeable cover frame in different colors
- Square detection area 360° (up to 64 m<sup>2</sup>) for reliable and easy planning
- Automatic presence- and brightness-dependent control for lighting and HVAC
- Two differently sized detection zones for greater flexibility. Adjustable via parameters or remote control.
- Manual alignment of the detection area (swivel mechanism)
- Mixed light measurement suitable for fluorescent lamps (FL/PL/ESL), halogen/incandescent lamps and LEDs
- 3 directed light measurements
- 2 light channels C1, C2 with 2 light measurements and additional lighting channel C3 without brightness factor
- Switched or constant light control with 2 independent control systems and standby function (orientation light)
- Switching mode with dimmable lighting
- Fully or semi-automatic
- Brightness switching value or set point value can be set in lux by using parameters, the object or via remote control
- Teach-in of the brightness switching value or the set point value
- Light time delay configurable
- Self-learning time delay can be set using parameters, object or via remote control
- Reduction of time delay when present briefly (short-term presence)
- Manual override by telegram or remote control
- 2 presence channels C4, C5, individually configurable
- Switch-on delay and time delay configurable
- Room monitoring with selective movement detection
- Setting the room correction factor for brightness measurement comparison
- Configurable sensitivity
- Extremely simple setting of the energy-saving ratio with the new «eco plus» function
- Test mode for checking function and detection area
- Scenarios
- Parallel switching of multiple presence detectors (Master/Slave or Master/Master)
- Installation in false ceilings with springs
- Surface mounting on ceilings possible with the AP-frame (optional)
- User remote control «theSenda S» (optional)
- Management remote control «SendoPro» (optional)
- Installation remote control «theSenda P» (optional)

## Technical data

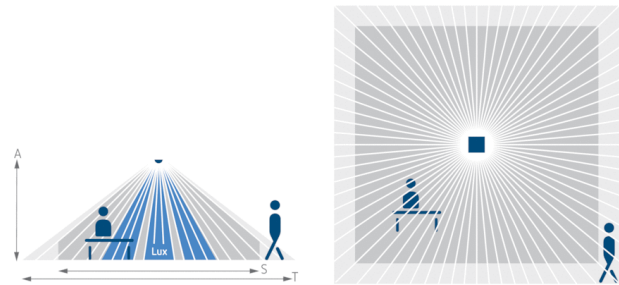
Operating voltage KNX	Bus voltage, ca. 8 mA
Installation height	2 – 3 m
Minimum height	> 1,7 m
Setting range brightness	10 – 3000 lx
Detection angle	360°
Type of connection	Spring terminals WAGO 243
Installation type	Ceiling mounting
Light switch-off delay	30 s - 60 min
Lamps	Energy saving lamps, fluorescent lamps, Incandescent/halogen lamps, LEDs
Light measurement	Mixed light measurement
Stand-by time light	30 s – 60 min , on, inactive
Stand-by brightness	1 – 25 %

Article number: 2039100

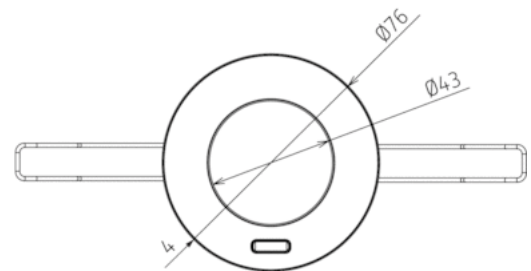
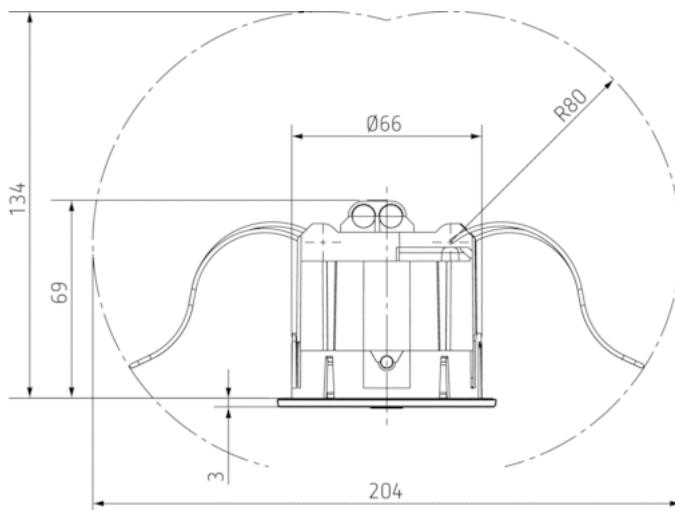
Presence switch-off delay	10 s - 120 min
Switch-on delay presence	10 s – 30 min / inactive
Ambient temperature	+0 °C ... +50 °C
Colour	Pure white (similar to RAL 9010)
Type of protection	IP 20
Conformity to type CE 	This device complies with the protection regulations of the EMC directives 2014/30/EU.

### Detection range

Mounting height (A)	Sitting (S)	Walking (T)
2 m	9 m <sup>2</sup>   3 m x 3 m	20 m <sup>2</sup>   4,5 m x 4,5 m ± 0,5 m
2,5 m	16 m <sup>2</sup>   4 m x 4 m	36 m <sup>2</sup>   6 m x 6 m ± 0,5 m
3 m	20 m <sup>2</sup>   4,5 m x 4,5 m	49 m <sup>2</sup>   7 m x 7 m ± 1 m
3,5 m	–	64 m <sup>2</sup>   8 m x 8 m ± 1 m



### Scale drawings



### Accessories

#### Surface frame 75A WH

- Article number: 9070949  
[Details ▶ www.theben.de](http://www.theben.de)



#### SendoPro 868-A

- Article number: 9070675  
[Details ▶ www.theben.de](http://www.theben.de)



#### theSenda P

- Article number: 9070910  
[Details ▶ www.theben.de](http://www.theben.de)



Article number: 2039100

### theSenda S

---

- Article number: 9070911  
[Details ▶ www.theben.de](http://www.theben.de)

